

EL[®]MARK

The Brand of Electricity

LED PANELS ELMARK IP44

GENERAL INFORMATION »

- ∴ Rated voltage: 185-265VAC
- ∴ Power: 24W; 36W; 45W; 48W; 60W
- ∴ Power supply: control gear, DC device - driver
- ∴ Light source: SMD 4014
- ∴ Colour temperature: 4000K; 6400K
- ∴ Housing: White;
- ∴ Diffuser: even distribution of lights, without formation of lighter or darker spots
- ∴ Colour rendering index: Ra≥80
- ∴ Beam angle: 120°
- ∴ Average life: 30 000 hours
- ∴ Switch on/off: >15 000
- ∴ Starting time: < 0.5s
- ∴ Power factor: 0.9
- ∴ Ambient temperature: -10°C +55°C
- ∴ Protection against dust and moisture: IP44
- ∴ Available in variant with an emergency kit
- ∴ LED panels can be dimmed using a suitable dimmable driver and remote control.

FEATURES »

- ∴ Completely replace traditional fluorescent lighting
- ∴ Safety, low voltage operation
- ∴ Suitable for mounting in suspended ceiling Armstrong type
- ∴ Emit a very pleasant and even light with very low glare factor due to the diffusion lens
- ∴ Low power consumption
- ∴ Instant light with maximum luminous flux
- ∴ Environmentally friendly - do not emit mercury and lead
- ∴ No ultraviolet and infrared rays
- ∴ Resistant to shock and vibration
- ∴ Suitable for home, offices, halls, shops, hospitals

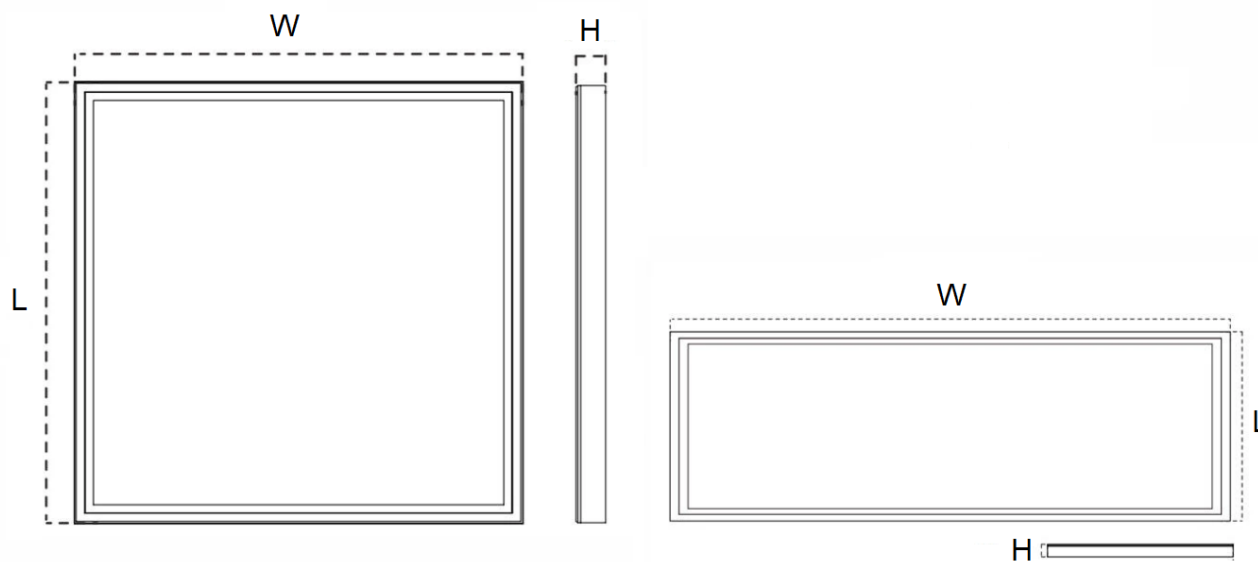


TECHNICAL SPECIFICATION SHEET

[PRODUCT DETAILS »](#)

| Catalogue number | Catalogue number with Emergency kit | Dimmable | Watt (W) | Whole fixture lumens (lm) | Colour temp. (K) | Colour body |
|------------------|-------------------------------------|----------|----------|---------------------------|------------------|-------------|
| 92PANEL012WIP44 | 92PANEL012WIP44E | - | 24 | 2400 | 4000 | white |
| 92PANEL013WIP44 | 92PANEL013WIP44E | - | 36 | 3600 | 4000 | white |
| 92PANEL020WIP44 | 92PANEL020WIP44E | - | 48 | 4800 | 4000 | white |
| 92PANEL020CWIP44 | 92PANEL020CWIP44E | - | 48 | 4800 | 6400 | white |
| 92PANEL018WIP44 | 92PANEL018WIP44E | Yes | 45 | 4500 | 4000 | white |
| 92PANEL021WIP44 | 92PANEL021WIP44E | - | 48 | 4800 | 4000 | white |
| 92PANEL031WIP44 | | - | 60 | 6000 | 4000 | white |
| 92PANEL031CWIP44 | | - | 60 | 6000 | 6400 | white |

[DIMENSIONS »](#)



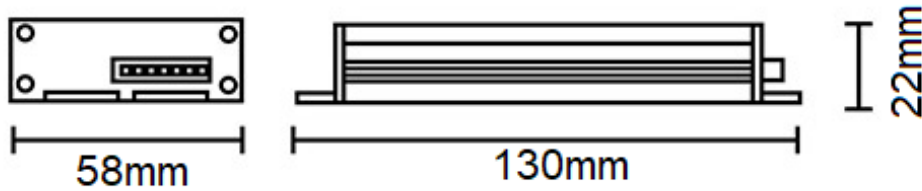
| Catalogue number | Length (mm) | Width (mm) | Height (mm) |
|------------------|-------------|------------|-------------|
| 92PANEL012WIP44 | 295 | 295 | 11 |
| 92PANEL013WIP44 | 295 | 595 | 11 |
| 92PANEL020WIP44 | 595 | 595 | 30 |
| 92PANEL020CWIP44 | 595 | 595 | 30 |
| 92PANEL018WIP44 | 595 | 595 | 9 |
| 92PANEL021WIP44 | 1195 | 295 | 30 |
| 92PANEL031WIP44 | 595 | 595 | 30 |
| 92PANEL031CWIP44 | 595 | 595 | 30 |

LED EMERGENCY KIT SPECIFICATIONS »

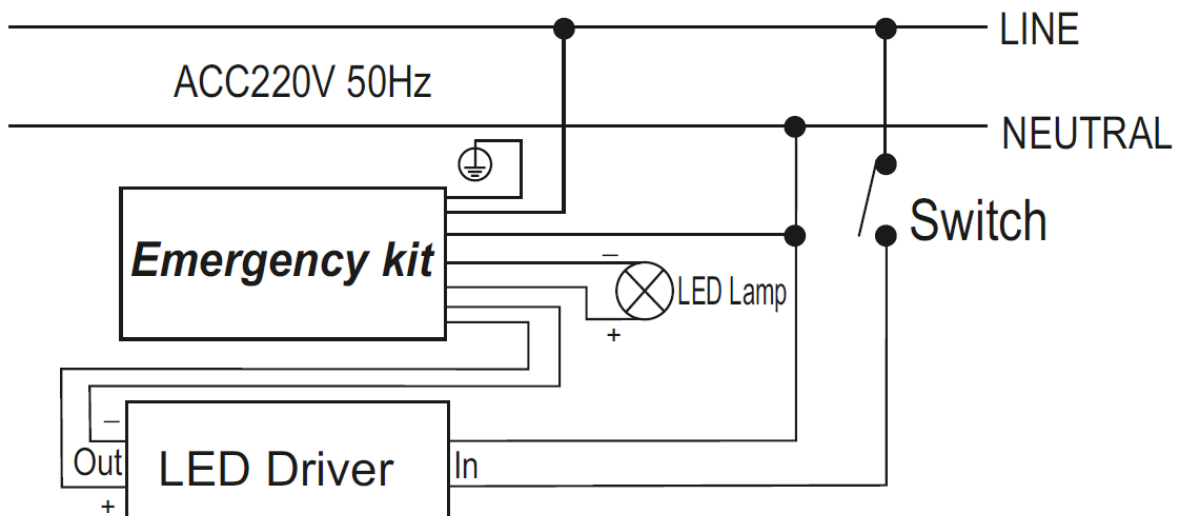


General information »

- ∴ Voltage: AC85-265V 50Hz
- ∴ Emergency Output: 3-40W
- ∴ Emergency Time: 2hrs (120mins)
- ∴ Battery: 3.7V 2400mAh
- ∴ Emergency Switching Time: <2s
- ∴ AC Fuse: 250V 1A
- ∴ DC Fuse: 250V 5A
- ∴ Luminous Flux: >100lm
- ∴ Light Source: LED
- ∴ Working temperature: -10°C +55°C
- ∴ IP Rate: IP30



Wiring diagram



● - It indicates the connection

● Red = Charging ● Blue = Emergency ● Green = Power

ACCESSORIES FOR LED PANELS »




Suspension wire for suspended mounting Catalogue number: **99ACC18**


Clips for mounting on plasterboard Catalogue number: **99ACC21 ***

Fasteners for surface mounting Catalogue number: **99ACC22 ***


*99ACC21 and 99ACC22 are suitable only for LED panels with height 9-11mm

ADDITIONAL INFORMATION »



92PANEL012WIP44



This luminaire contains built-in LED lamps.



The lamps cannot be changed in the luminaire.

874/2012


| Catalogue number | Barcode | Packing/Box (pcs) |
|------------------|---------------|-------------------|
| 92PANEL012WIP44 | 3800131223654 | 1/12 |
| 92PANEL013WIP44 | 3800131223074 | 1/6 |
| 92PANEL020WIP44 | 3800131231383 | 1/6 |
| 92PANEL020CWIP44 | 3800131234926 | 1/6 |
| 92PANEL018WIP44 | 3800131223142 | 1/5 |
| 92PANEL021WIP44 | 3800131234575 | 1/6 |
| 92PANEL031WIP44 | - | 1/5 |
| 92PANEL031CWIP44 | - | 1/5 |

